



The Future of Automated Labeling

FoxJet's LS4100.le is a compact automated labeler that offers high-end features for the value-minded customer. Designed for lower throughput applications, the LS4100.le utilizes high quality components for durability that maximize uptime.

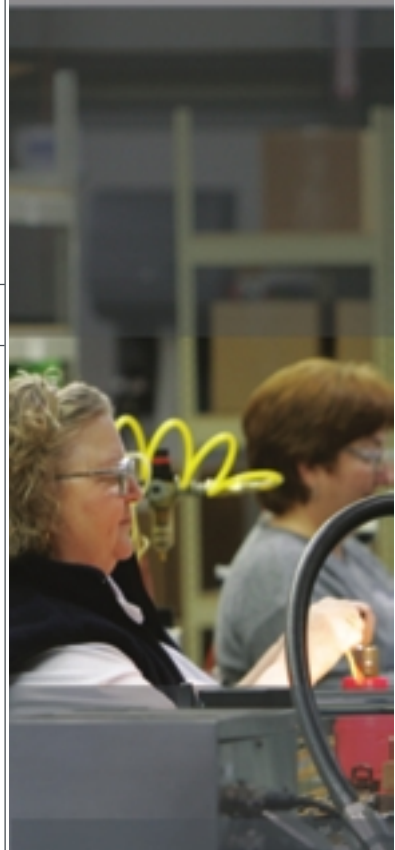


LS4100.le Features & Benefits:

- Wipe-On label applicator to meet most applications
- Patent-pending rewind drive system - no drive rollers
- Durable stainless steel peel blade
- Easy-to-read LED text display
- Accurate and reliable brushless servo motor
- Supports English, Spanish, Italian and Portuguese languages



Spec.e



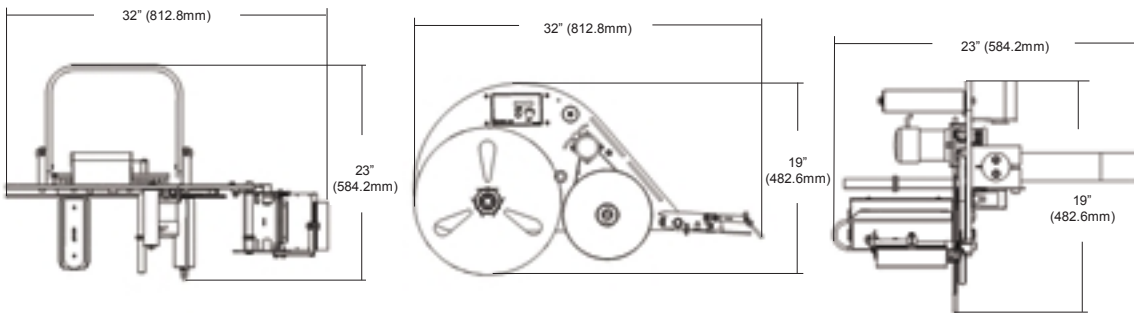
Specifications



Specifications

Maximum Line Speed	80 fpm
Minimum Line Speed	10 fpm
Minimum Media Dimensions	0.75" W x 0.75" L
Maximum Media Dimensions	4.0" W x 8.0" L
Supply Roll Capacity	14" OD on 3" core
Power Supply Input	100-240 VAC, 50-60 Hz, 1.6A
Environmental	41-104° F (5-40°C); 10-85% RH Non-Condensing
Weight	38 lbs. (17.3 kg) applicator and yoke, no stand
Certifications	CE, CSA, FCC Approved, Listed (UL 60950)

Dimensions



Applications



Distributor Information

Spec.e

