



The Future of Automated Labeling

FoxJet's LS4700.e all-electric labelers help companies save energy and reduce costs.

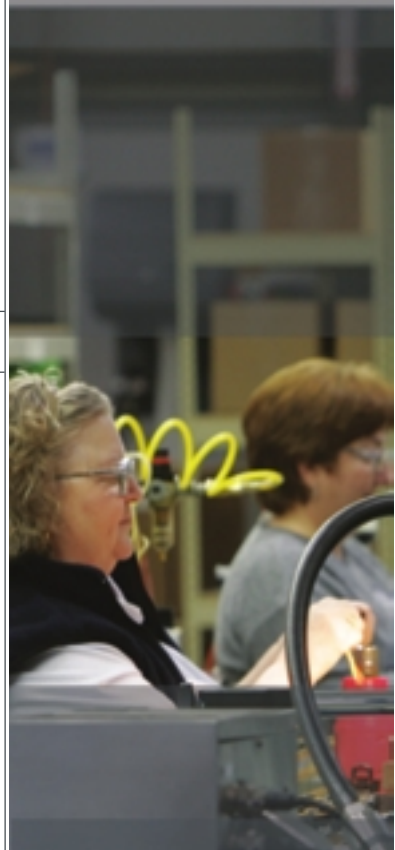


LS4700.e Features & Benefits:

- Wipe unit allows for up to 800 products per minute
- Tamp and corner wrap applications
- On-Board diagnostics
- Graphic touch-screen user interface
- Optional discrete I/O module or wireless/wired Ethernet module available
- Tamp unit offers quick change tamp pad
- RFID - ready



Spec.e



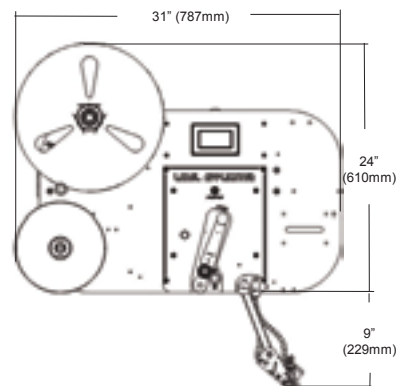
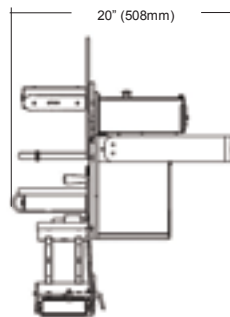
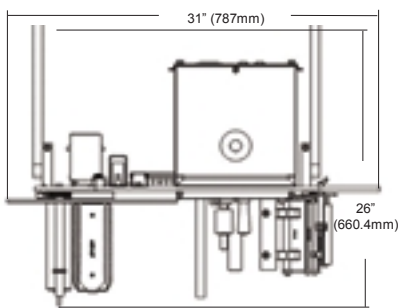
Specifications



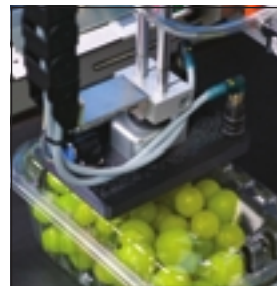
Specifications

	Wipe/WASA	E-Tamp/E-FASA
Maximum Labels/Minute	Up to 800	Up to 150
Dispense Speed	15 to 300 fpm	15 to 200 fpm
Minimum Media Dimensions	0.5" W x 0.5" L	0.5" W x 0.5" L
Maximum Media Dimensions	6.0" W x 22" L	6.0" W x 13" L
Supply Roll Capacity	14" OD on 3" core	
Power Supply Input	110-240 VAC, 47-63 Hz, 2A Auto-Ranging	
Optional Features	Warning Tower, Label Present, Label Low, Ethernet	
Environmental	41-104° F (5-40°C); 15-85% RH Non-Condensing	
Weight	85 lbs. (38.5 kg) applicator and yoke, no stand	
Certifications	CE, TUV (UL 60950), complies with FCC, part 15 Class A	

Dimensions



Applications



Distributor Information

